

## INLET: SPIGOT - Sch 40 PVC DWV

Base Casting is ASTM A-48 Class 30 Cast Iron  
(Various Contours available to fit 6.275" - 30.00" O.D. Mains)

Base Casting has an ALIGNMENT FLANGE which protrudes into the tapped hole to assure perfect alignment

PVC Adapter is a Spigot, same O.D. as Sch. 40 DWV

Adapter is cemented permanently in place with two-part urethane adhesive

Base of Saddle is dip-coated in Waterbased Bituminous Coating

Strap is 24 ga. X 2.5" wide Type 304 Stainless Steel

Strap Pins are .75" dia. Type 303 Stainless Steel

T-Bolts are .375" - 16 Type 304 Stainless Steel

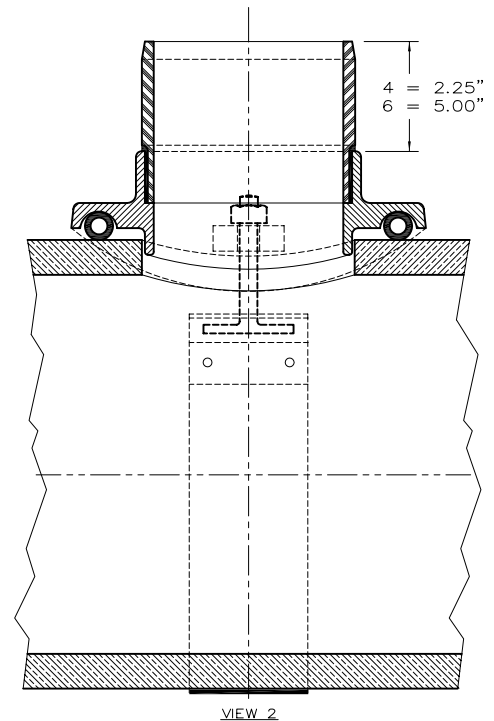
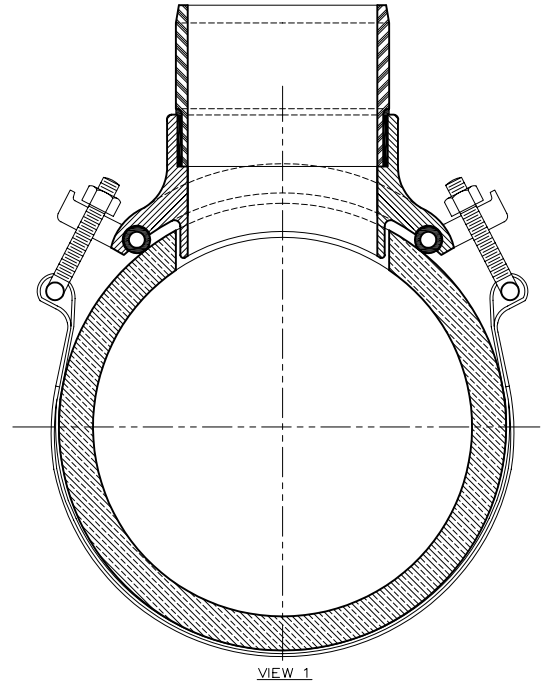
Nuts and Washers are Type 18-8 Stainless Steel

O-Ring is ASTM C-361-77 Tubular Polyisoprene

4" inlet requires a 4.5" dia. Tap in the Sewer Main

6" inlet requires a 6.5" dia. Tap in the Sewer Main  
(Sewer Main must be at least 8" dia.)

Note: This Dwg. supercedes Dwg. No. R-3221-D



## Type "F" Model "40A"

### SEALTITE TEE<sup>®</sup> Gravity Sewer Saddle (with Alignment Flange)



**THE GENERAL ENGINEERING COMPANY**

P.O. Box 609, Frederick, MD 21705-0609

(301)663-9282 • (800)345-6454 • FAX: (301) 695-5612

DWG.NO.

**F-40A**