

INLET: GASKETED BELL - SV C.I.

Base Castings and Inlet Bell Casting are
ASTM A-48 Class 30 Cast Iron
(Various Contours available to fit 6.275" - 30.00" O.D. Mains)

Inlet Casting is Service Weight Cast Iron Bell dimension

Castings are cemented permanently in place
with two-part urethane adhesive and SDR-35 PVC Sleeve
is used between Adapter and Bell

Entire Saddle is dip-coated in Waterbased
Bituminous Coating

Strap is 24 ga. X 2.5" wide Type 304 Stainless Steel

Strap Pins are .75" dia. Type 303 Stainless Steel

T-Bolts are .375" - 16 Type 304 Stainless Steel

Nuts and Washers are Type 18-8 Stainless Steel

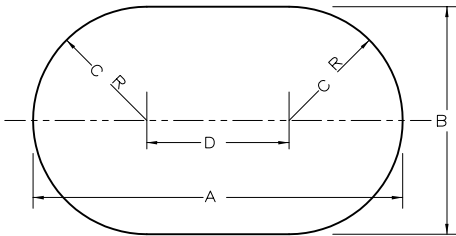
O-Ring is ASTM C-361-77 Tubular Polyisoprene

4" inlet requires a 4" x 6.50" oval tap
in the Sewer Main

6" inlet requires a 6" x 9.25" oval tap
in the Sewer Main
(Sewer Main must be at least 8" dia.)

Note: This Dwg. supercedes Dwg. No. R-3159-D1

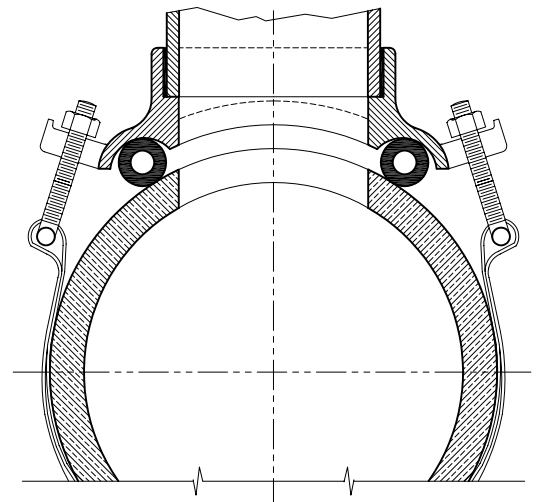
Inlet Gasket is supplied with Saddle



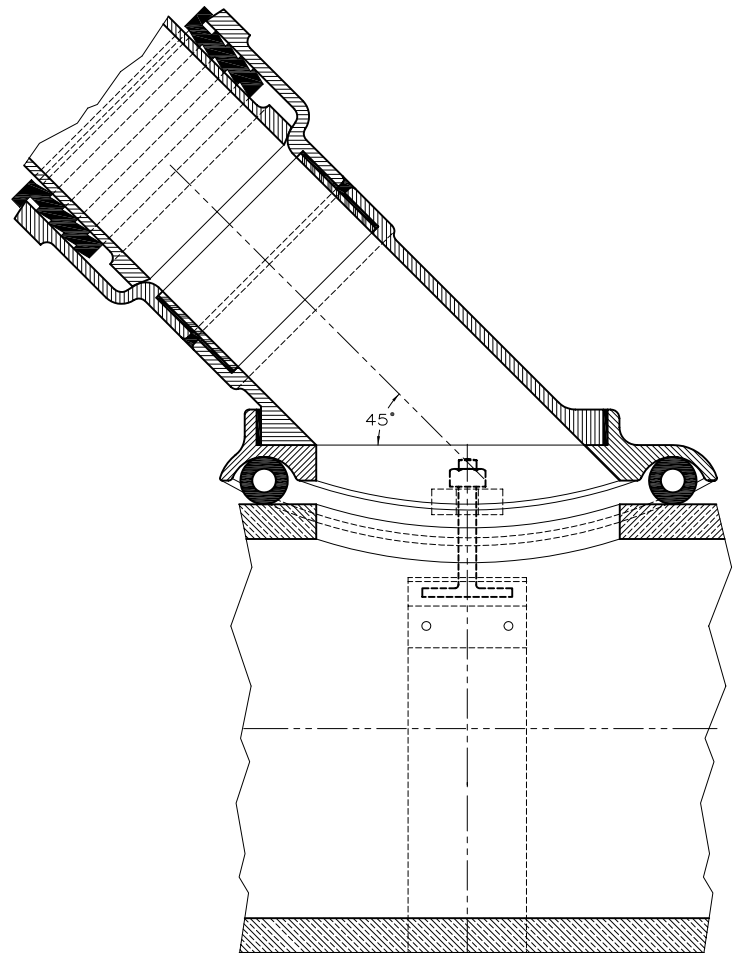
SADDLE TAP DIMENSIONS

SIZE	A	B	C	D
4 INLET	6.50	4	2	2.50
6 INLET	9.25	6	3	3.25

Template Supplied
with each Saddle



VIEW 1



VIEW 2

Type "E" Model "SV"

SEALTITE WYE[®] Gravity Sewer Saddle



THE GENERAL ENGINEERING COMPANY

P.O. Box 609, Frederick, MD 21705-0609

(301)663-9282 • (800)345-6454 • FAX: (301) 695-5612

DWG.NO.

E-SV