

## INLET: SPIGOT - C-900 PVC

Base Castings are ASTM A-48 Class 30 Cast Iron  
(Various Contours available to fit 6.275" - 30.00" O.D. Mains)

PVC Adapter is a Spigot of C-900

Castings and Adapter are cemented permanently in place  
with two-part urethane adhesive

Base of Saddle is dip-coated in Waterbased  
Bituminous Coating

Strap is 24 ga. X 2.5" wide Type 304 Stainless Steel

Strap Pins are .75" dia. Type 303 Stainless Steel

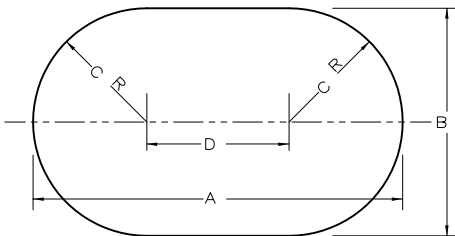
T-Bolts are .375" - 16 Type 304 Stainless Steel

Nuts and Washers are Type 18-8 Stainless Steel

O-Ring is ASTM C-361-77 Tubular Polyisoprene

4" inlet requires a 4" x 6.50" oval tap  
in the Sewer Main

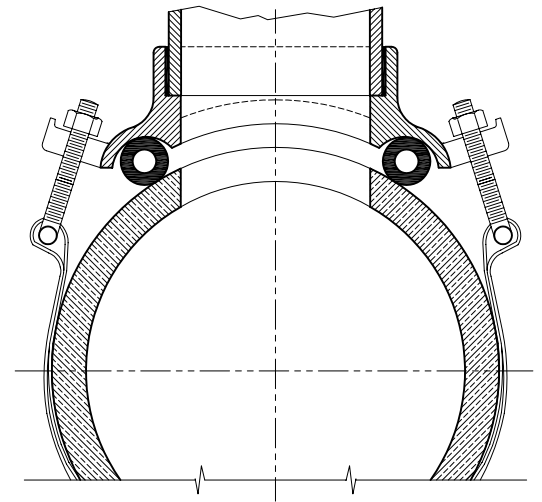
6" inlet requires a 6" x 9.25" oval tap  
in the Sewer Main  
(Sewer Main must be at least 8" dia.)



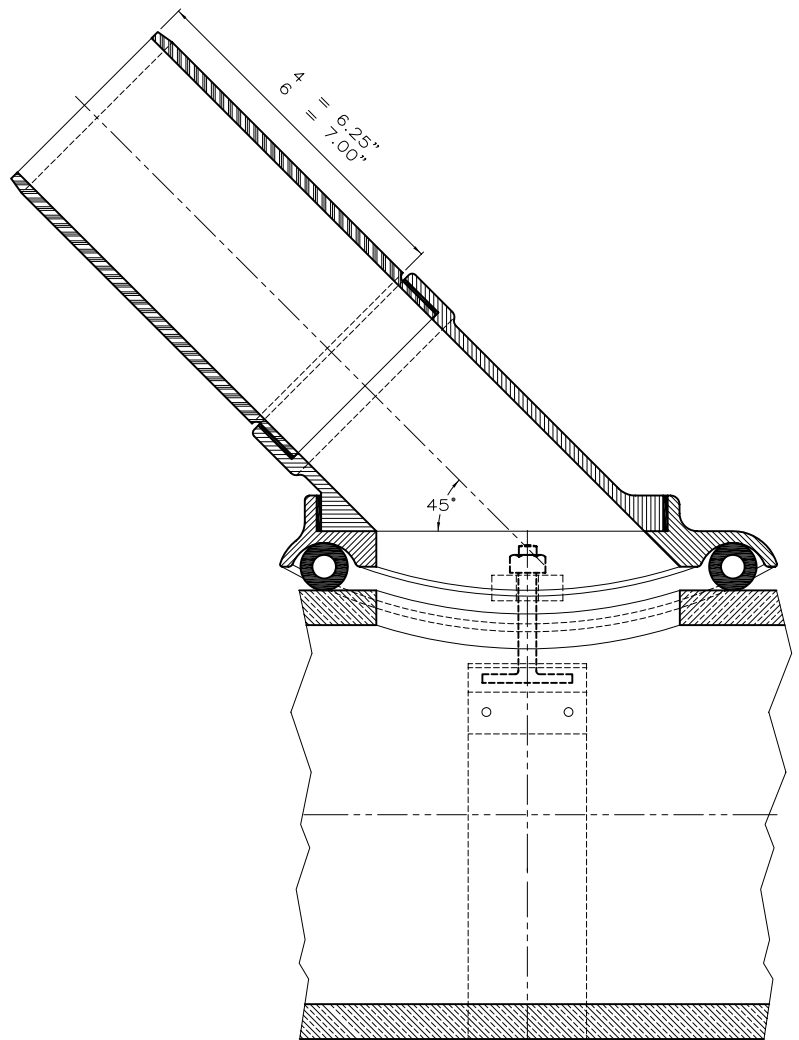
SADDLE TAP DIMENSIONS

SIZE		A	B	C	D
4	INLET	6.50	4	2	2.50
6	INLET	9.25	6	3	3.25

Template Supplied  
with each Saddle



VIEW 1



VIEW 1

## Type "E" Model "90A"

### SEALTITE WYE® Gravity Sewer Saddle



THE GENERAL ENGINEERING COMPANY

P.O. Box 609, Frederick, MD 21705-0609

(301)663-9282 • (800)345-6454 • FAX: (301) 695-5612

DWG.NO.

E-90A