

INLET: SOLVENT HUB - SDR - 35 PVC

Base Castings are ASTM A-46 Class 30 Cast Iron
(Various Contours available to fit 6.275" - 30.00" O.D. Mains)

PVC Adapter is a Solvent Hub to accept SDR 35 PVC

Castings and Adapter are cemented permanently in place
with two-part urethane adhesive

Base of Saddle is dip-coated in Waterbased
Bituminous Coating

Strap is 24 ga. X 2.5" wide Type 304 Stainless Steel

Strap Pins are .75" dia. Type 303 Stainless Steel

T-Bolts are .375" - 16 Type 304 Stainless Steel

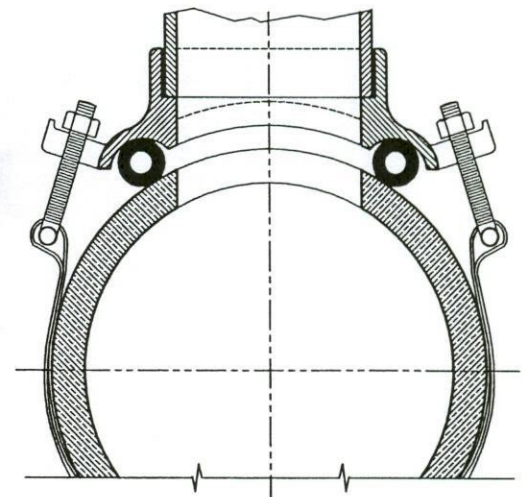
Nuts and Washers are Type 18-8 Stainless Steel

O-Ring is ASTM C-361-77 Tubular Polyisoprene

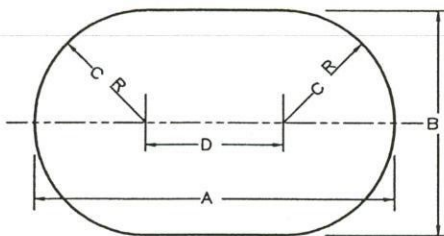
4" inlet requires a 4" x 6.50" oval tap
in the Sewer Main

6" inlet requires a 6" x 9.25" oval tap
in the Sewer Main
(Sewer Main must be at least 8" dia.)

Note: This Dwg. supercedes Dwg. No. R-3158-D1



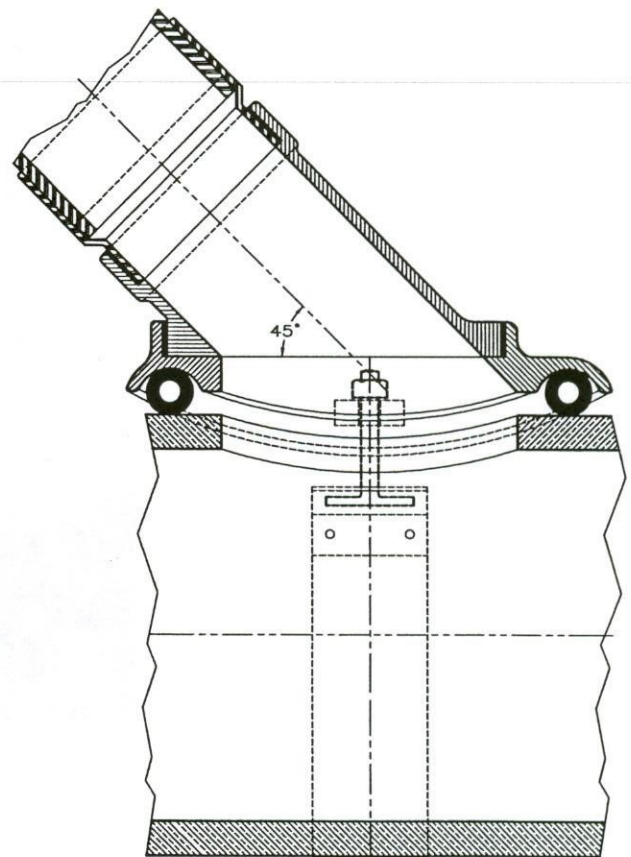
VIEW 1



SADDLE TAP DIMENSIONS

SIZE	A	B	C	D
4 INLET	6.50	4	2	2.50
6 INLET	9.25	6	3	3.25

Template Supplied
with each Saddle



VIEW 1

Type "E" Model "35P"

SEALTITE WYE® Gravity Sewer Saddle



THE GENERAL ENGINEERING COMPANY

P.O. Box 609, Frederick, MD 21705-0609
(301)663-9282 • (800)345-6454 • FAX: (301) 695-5612

DWG.NO.

E-35P