

## INLET: GASKETED BELL - SDR-26 PVC

Base Castings are ASTM A-48 Class 30 Cast Iron  
(Various Contours available to fit 6.275" - 30.00" O.D. Mains)

PVC Adapter is a Gasketed Bell to accept SDR-26 PVC (Hvy. wall sewer)

Castings and Adapter are cemented permanently in place  
with two-part urethane adhesive

Base of Saddle is dip-coated in Waterbased  
Bituminous Coating

Strap is 24 ga. X 2.5" wide Type 304 Stainless Steel

Strap Pins are .75" dia. Type 303 Stainless Steel

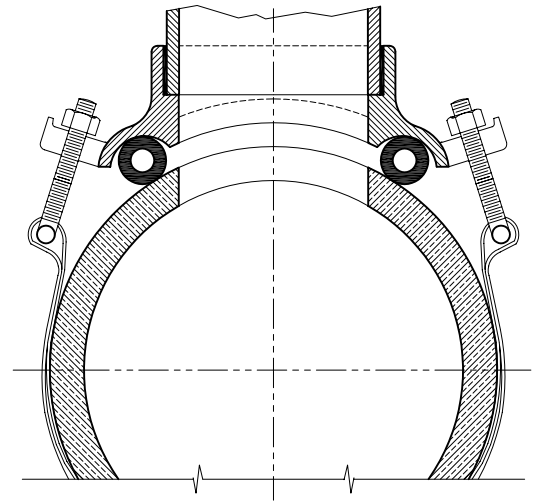
T-Bolts are .375" - 16 Type 304 Stainless Steel

Nuts and Washers are Type 18-8 Stainless Steel

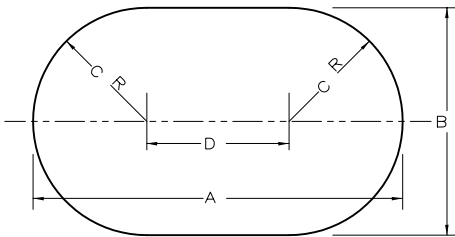
O-Ring is ASTM C-361-77 Tubular Polyisoprene

4" inlet requires a 4" x 6.50" oval tap  
in the Sewer Main

6" inlet requires a 6" x 9.25" oval tap  
in the Sewer Main  
(Sewer Main must be at least 8" dia.)



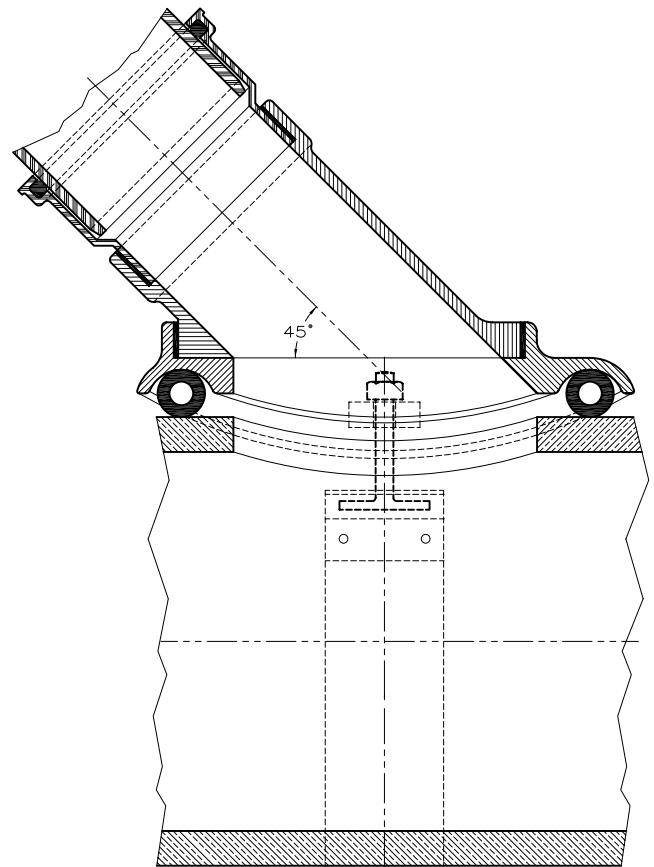
VIEW 1



SADDLE TAP DIMENSIONS

SIZE	A	B	C	D
4 INLET	6.50	4	2	2.50
6 INLET	9.25	6	3	3.25

Template Supplied  
with each Saddle



VIEW 2

## Type "E" Model "26"

### SEALTITE WYE<sup>®</sup> Gravity Sewer Saddle



**THE GENERAL ENGINEERING COMPANY**

P.O. Box 609, Frederick, MD 21705-0609

(301)663-9282 • (800)345-6454 • FAX: (301) 695-5612

DWG.NO.

**E-26**