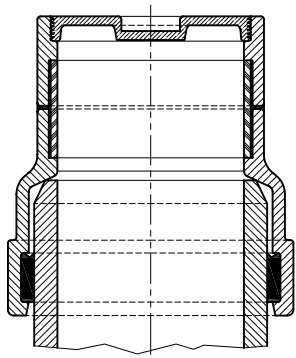
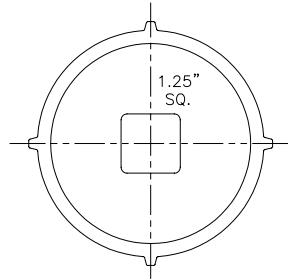


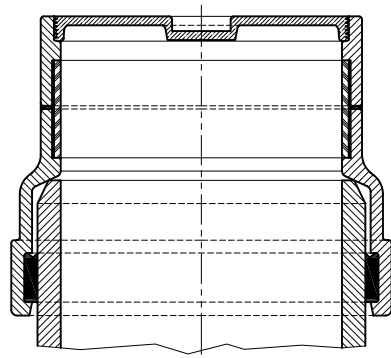
	4"	6"	8"
Max. O.D.	6 $\frac{1}{4}$ "	8 $\frac{1}{2}$ "	10 $\frac{1}{2}$ "
Overall Length	5 $\frac{1}{2}$ "	5 $\frac{1}{2}$ "	5 $\frac{1}{2}$ "
Brass Lid Size (Iron Pipe Threads)	3 $\frac{1}{2}$ "	5 $\frac{1}{2}$ "	8"
Brass Lid O.D.	3 $\frac{7}{8}$ "	6"	8 $\frac{1}{2}$ "



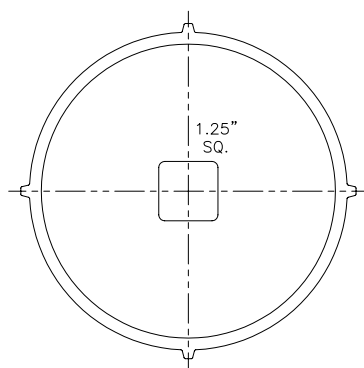
VIEW 1



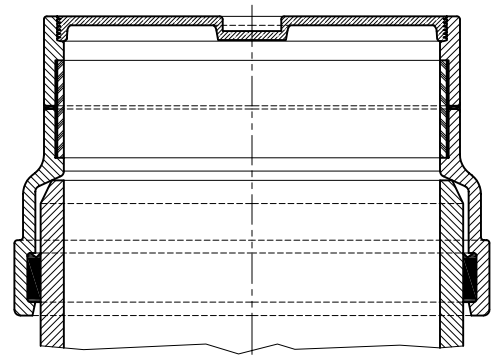
VIEW 2



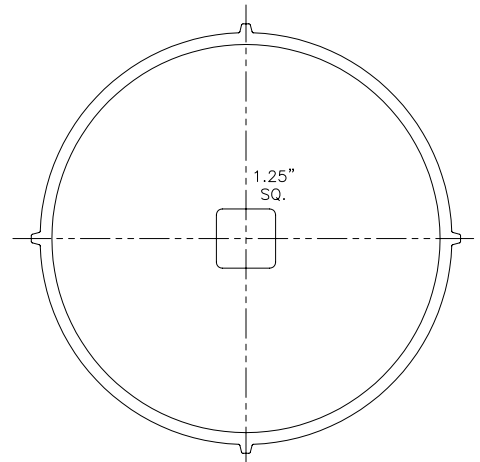
VIEW 1



VIEW 2



VIEW 1



VIEW 2

## Model "COG" Gasketed Bell - D.I.

GENECO<sup>®</sup> Sewer Lateral Cleanout



**THE GENERAL ENGINEERING COMPANY**

P.O. Box 609, Frederick, MD 21705-0609  
 (301)663-9282 • (800)345-6454 • FAX: (301) 695-5612

DWG.NO.

**COG**