

4" 6"

Max. O.D.

6 1/4"

8 1/4"

Overall Length

5 1/2"

5 1/2"

Brass Lid Size
(Iron Pipe Threads)

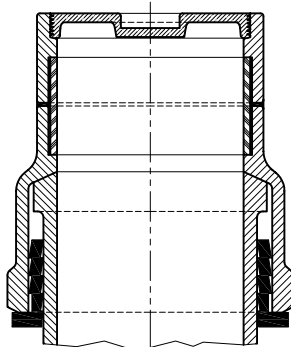
3 1/2"

5 1/2"

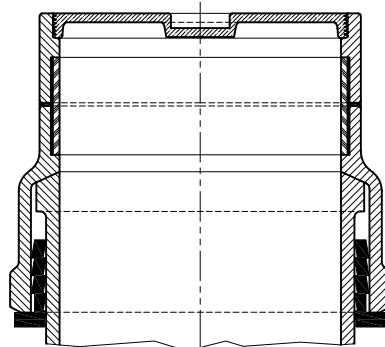
Brass Lid O.D.

3 7/8"

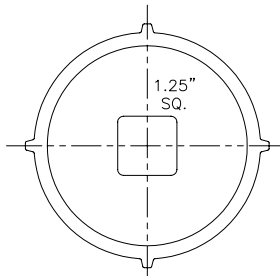
6"



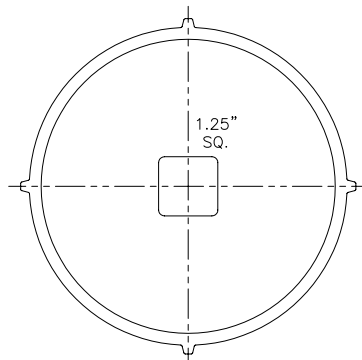
VIEW 1



VIEW 1



VIEW 2



VIEW 2

Model "COEX" Gasketed Bell - XH C.I.

GENECO[®] Sewer Lateral Cleanout



THE GENERAL ENGINEERING COMPANY

P.O. Box 609, Frederick, MD 21705-0609

(301)663-9282 • (800)345-6454 • FAX: (301) 695-5612

DWG.NO.

COEX