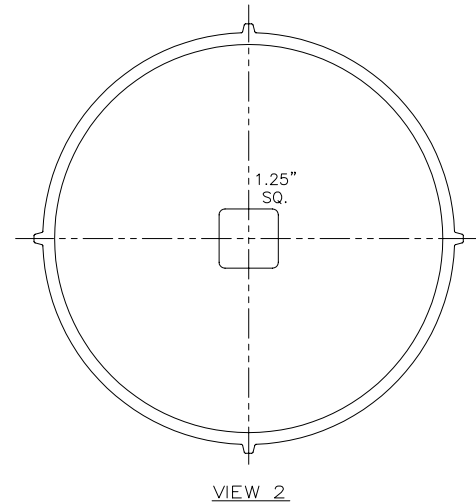
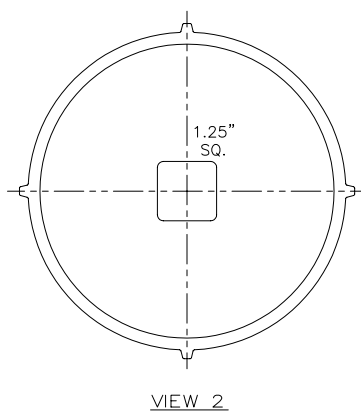
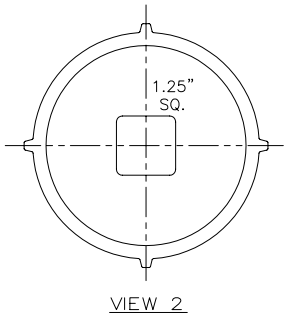
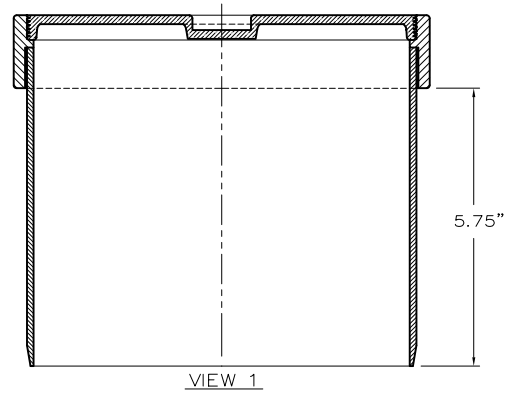
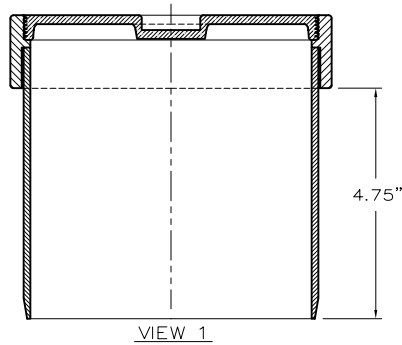
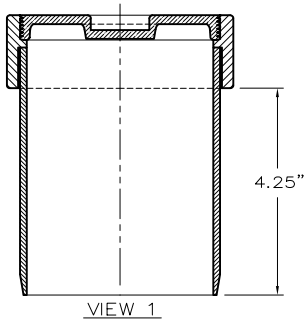


	4"	6"	8"
Max. O.D.	6"	7 $\frac{1}{2}$ "	10 $\frac{1}{2}$ "
Overall Length	6 $\frac{1}{4}$ "	6 $\frac{3}{4}$ "	7 $\frac{3}{4}$ "
Brass Lid Size (Iron Pipe Threads)	3 $\frac{1}{2}$ "	5 $\frac{1}{2}$ "	8"
Brass Lid O.D.	3 $\frac{7}{8}$ "	6"	8 $\frac{1}{2}$ "



Model "COA" Spigot - SDR-35 PVC

GENECO[®] Sewer Lateral Cleanout



THE GENERAL ENGINEERING COMPANY

P.O. Box 609, Frederick, MD 21705-0609
 (301)663-9282 • (800)345-6454 • FAX: (301) 695-5612

DWG.NO.

COA