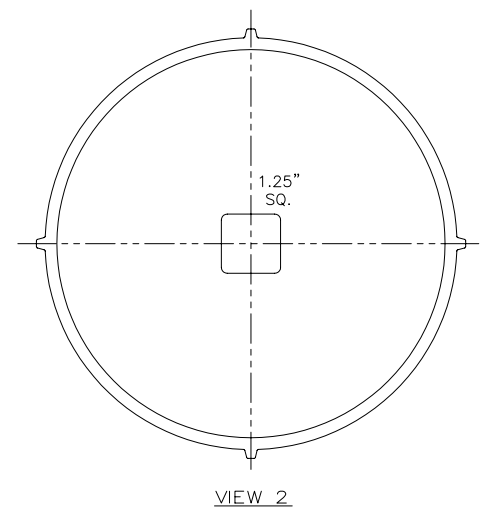
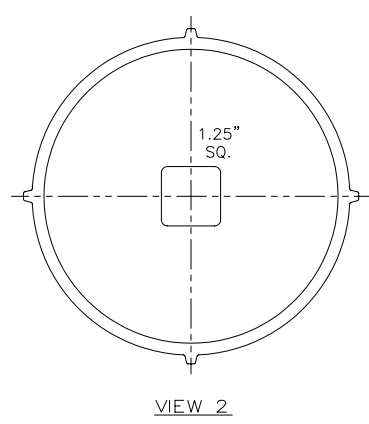
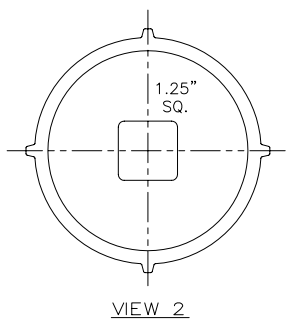
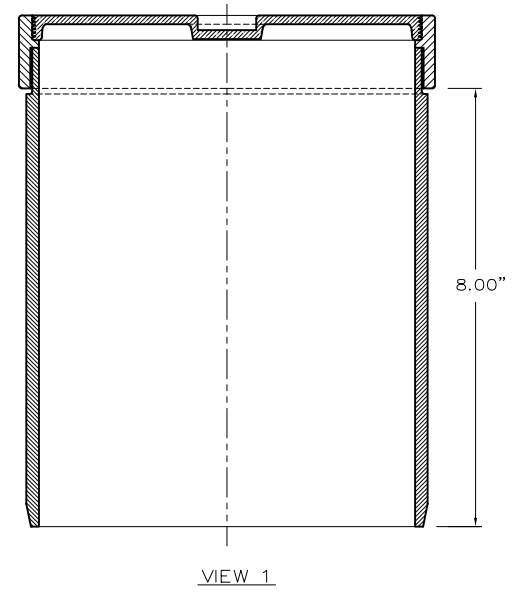
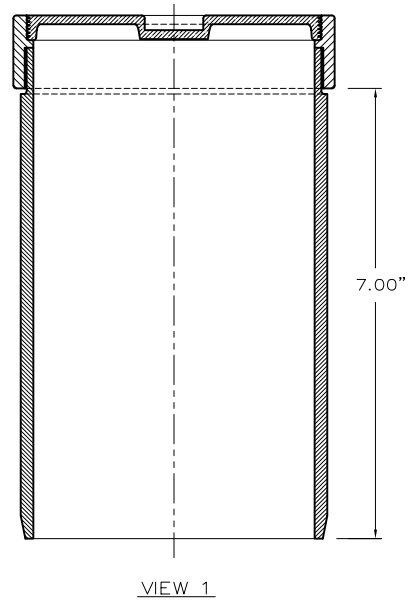
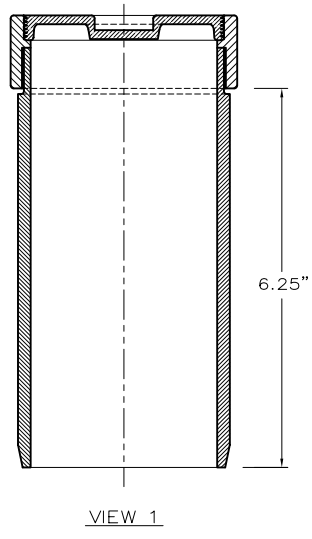


	4"	6"	8"
Max. O.D.	6"	7½"	10½"
Overall Length	8¼"	9"	10"
Brass Lid Size (Iron Pipe Threads)	3½"	5½"	8"
Brass Lid O.D.	3⅞"	6"	8½"



Model "CO90A" Spigot - C-900 PVC

GENECO® Sewer Lateral Cleanout



THE GENERAL ENGINEERING COMPANY

P.O. Box 609, Frederick, MD 21705-0609
 (301)663-9282 • (800)345-6454 • FAX: (301) 695-5612

DWG.NO.

CO90A