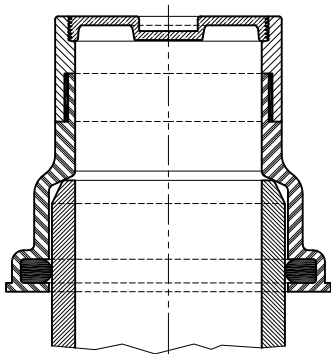
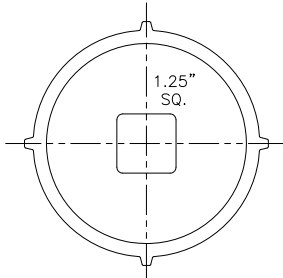


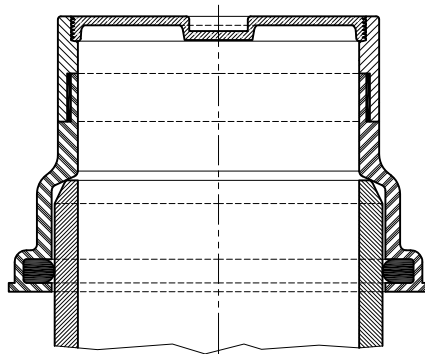
	4"	6"	8"
Max. O.D.	5 1/2"	8 1/4"	9 3/4"
Overall Length	5 1/4"	8 3/4"	9"
Brass Lid Size (Iron Pipe Threads)	3 1/2"	5 1/2"	8"
Brass Lid O.D.	3 7/8"	6"	8 1/2"



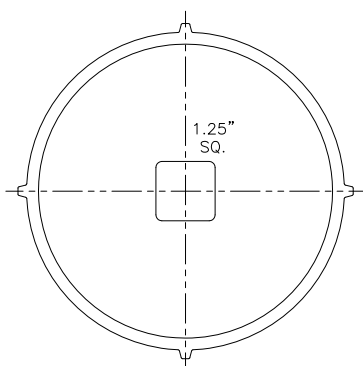
VIEW 1



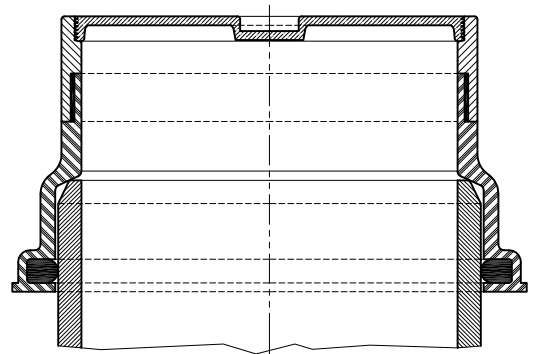
VIEW 2



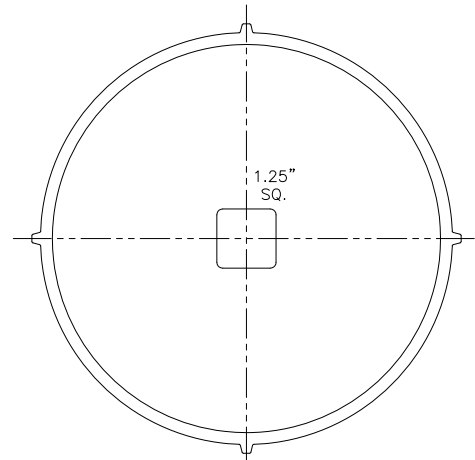
VIEW 1



VIEW 2



VIEW 1



VIEW 2

**Model "CO90" Gasketed Bell - to accept C-900 PVC**

**GENECO<sup>®</sup> Sewer Lateral Cleanout**



**THE GENERAL ENGINEERING COMPANY**

P.O. Box 609, Frederick, MD 21705-0609  
 (301)663-9282 • (800)345-6454 • FAX: (301) 695-5612

DWG.NO.

**CO90**