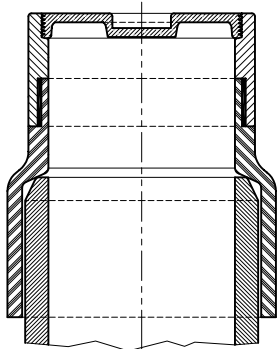
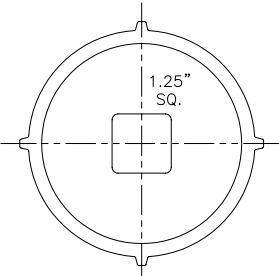


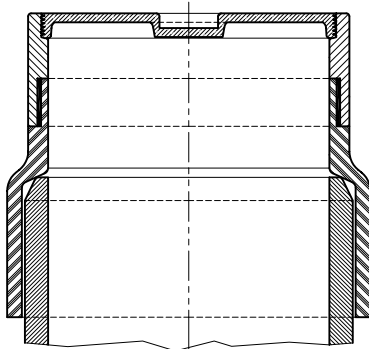
	4"	6"	8"
Max. O.D.	6"	7½"	10½"
Overall Length	5¼"	6⅝"	8"
Brass Lid Size (Iron Pipe Threads)	3½"	5½"	8"
Brass Lid O.D.	3⅞"	6"	8½"



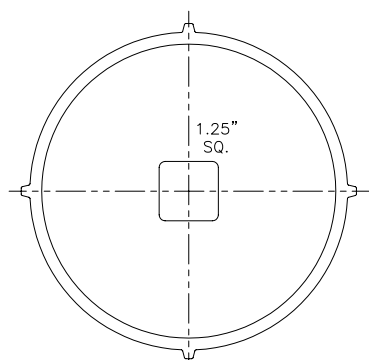
VIEW 1



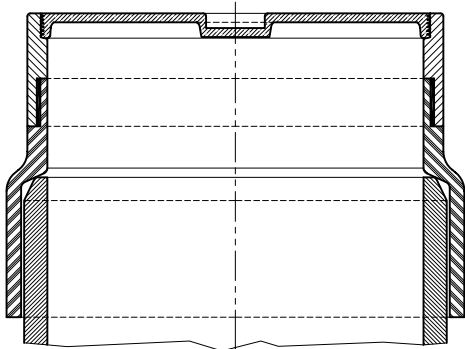
VIEW 2



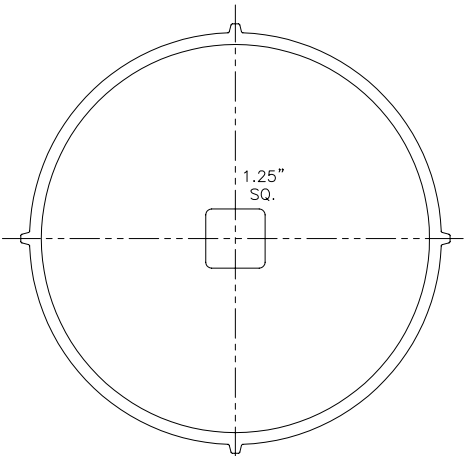
VIEW 1



VIEW 2



VIEW 1



VIEW 2

**Model "CO40P" Solvent Hub - Sch 40 DWV**  
**GENECO® Sewer Lateral Cleanout**



**THE GENERAL ENGINEERING COMPANY**  
 P.O. Box 609, Frederick, MD 21705-0609  
 (301)663-9282 • (800)345-6454 • FAX: (301) 695-5612

DWG.NO.  
**CO40P**