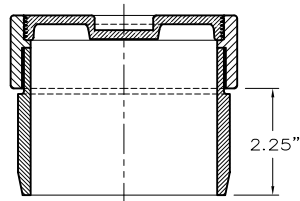
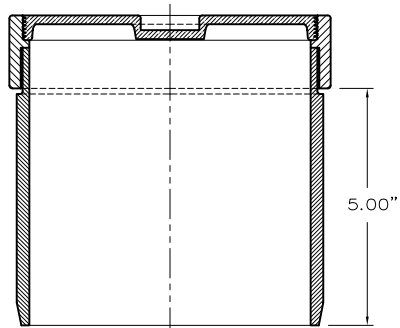


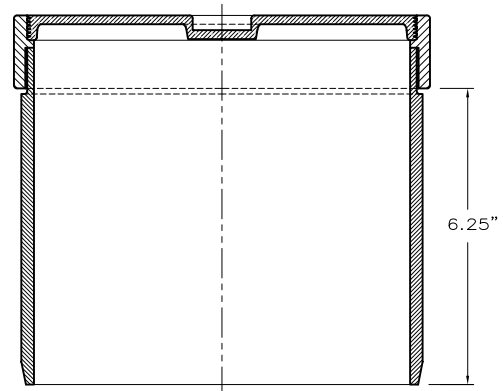
	4"	6"	8"
Max. O.D.	6"	7½"	10½"
Overall Length	4½"	7"	8¼"
Brass Lid Size (Iron Pipe Threads)	3½"	5½"	8"
Brass Lid O.D.	3⅞"	6"	8½"



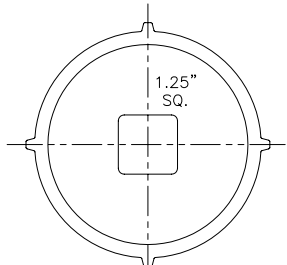
VIEW 1



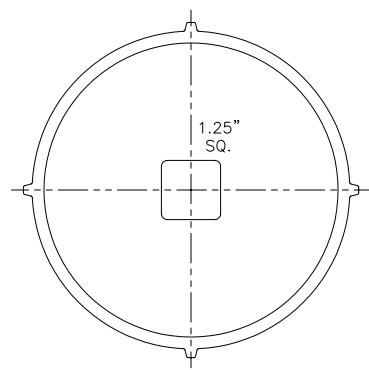
VIEW 1



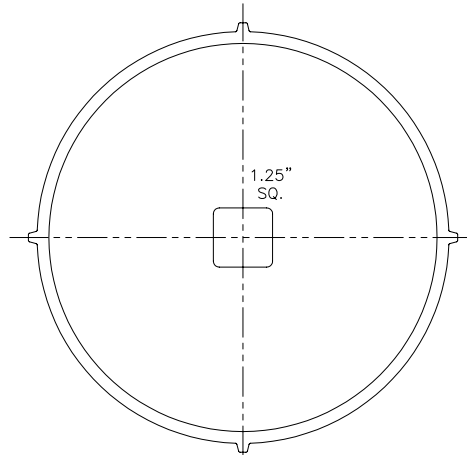
VIEW 1



VIEW 2



VIEW 2



VIEW 2

**Model "CO40A" Spigot - Sch 40 PVC DWV**

**GENECO® Sewer Lateral Cleanout**



**THE GENERAL ENGINEERING COMPANY**

P.O. Box 609, Frederick, MD 21705-0609  
 (301)663-9282 • (800)345-6454 • FAX: (301) 695-5612

DWG.NO.

**CO40A**