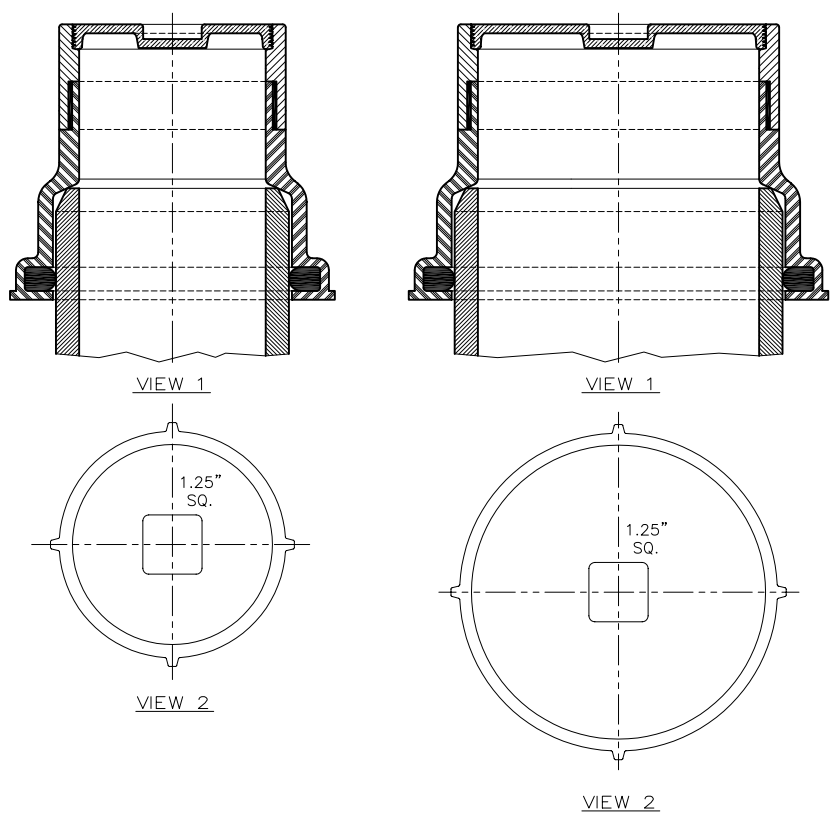


	4"	6"
Max. O.D.	5½"	7½"
Overall Length	6¼"	7¾"
Brass Lid Size (Iron Pipe Threads)	3½"	5½"
Brass Lid O.D.	3⅞"	6"



**Model "CO26" Gasketed Bell - SDR-26 PVC**

**GENECO® Sewer Lateral Cleanout**



**THE GENERAL ENGINEERING COMPANY**  
P.O. Box 609, Frederick, MD 21705-0609  
(301)663-9282 • (800)345-6454 • FAX: (301) 695-5612

DWG.NO.

**CO26**