

INLET: GASKETED BELL - SV C.I.

Base Castings and Inlet Bell Casting are
ASTM A-48 Class 30 Cast Iron
(Various Contours available to fit 30.00" - 72.00" O.D. Mains)

Inlet Casting is Service Weight Cast Iron Bell dimension

Castings are cemented permanently in place with
two-part urethane adhesive and SDR-35 PVC
Sleeve is used between Adapter and Bell

Entire Saddle dip-coated in Waterbased
Bituminous Coating

Strap is 24 ga. X 2.5" wide Type 304 Stainless Steel

Strap Pins are .75" dia. Type 303 Stainless Steel

T-Bolts are .375" - 16 Type 304 Stainless Steel

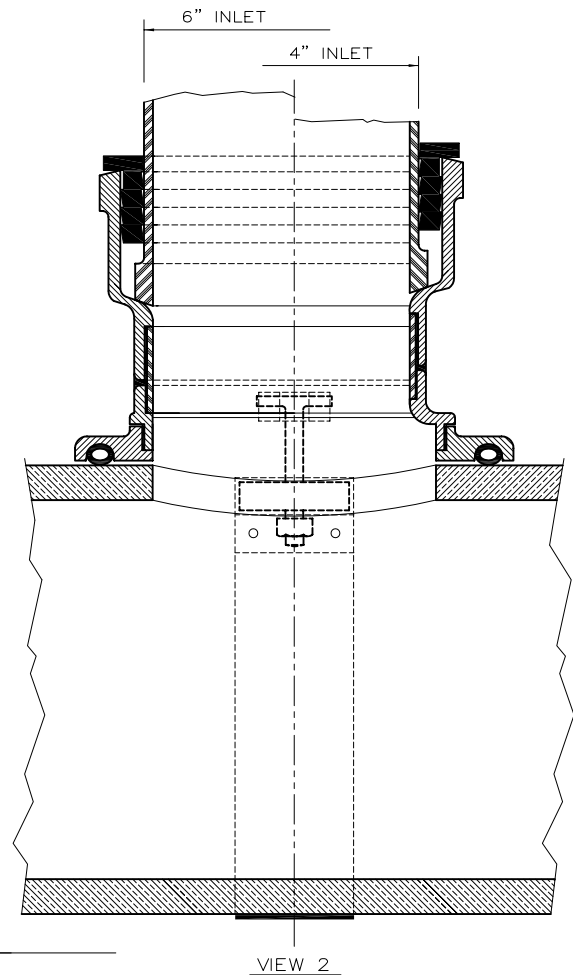
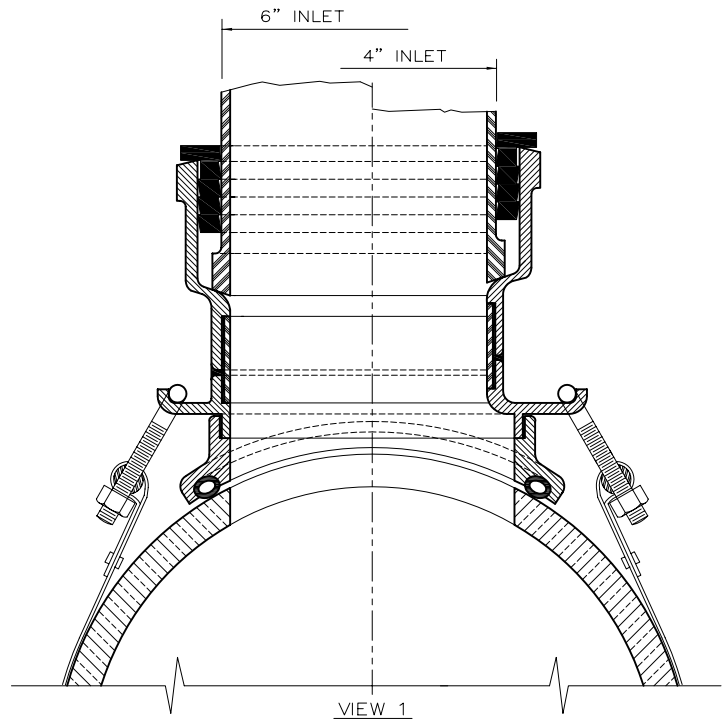
Nuts and Washers are Type 18-8 Stainless Steel

O-Ring is ASTM C-361-77 Tubular Polyisoprene

4" & 6" inlets BOTH require a 6" dia. Tap in
the Sewer Main

Note: This Dwg. supercedes Dwg. No. R-3433-D

Inlet Gasket is supplied with Saddle



Type "C" Model "SV"

SEALTITE TEE® Gravity Sewer Saddle
(For Mains Larger Than 30" O.D.)



THE GENERAL ENGINEERING COMPANY

P.O. Box 609, Frederick, MD 21705-0609

(301)663-9282 • (800)345-6454 • FAX: (301) 695-5612

DWG.NO.

C-SV