

## INLET: SOLVENT HUB - C-900 PVC

Base Castings are ASTM A-48 Class 30 Cast Iron  
(Various Contours available to fit 30.00" - 72.00" O.D. Mains)

PVC Adapter is a Solvent Hub to accept C-900

Castings and Adapter cemented permanently in place  
with two-part urethane adhesive

Base of Saddle is dip-coated in Waterbased  
Bituminous Coating

Strap is 24 ga. X 2.5" wide Type 304 Stainless Steel

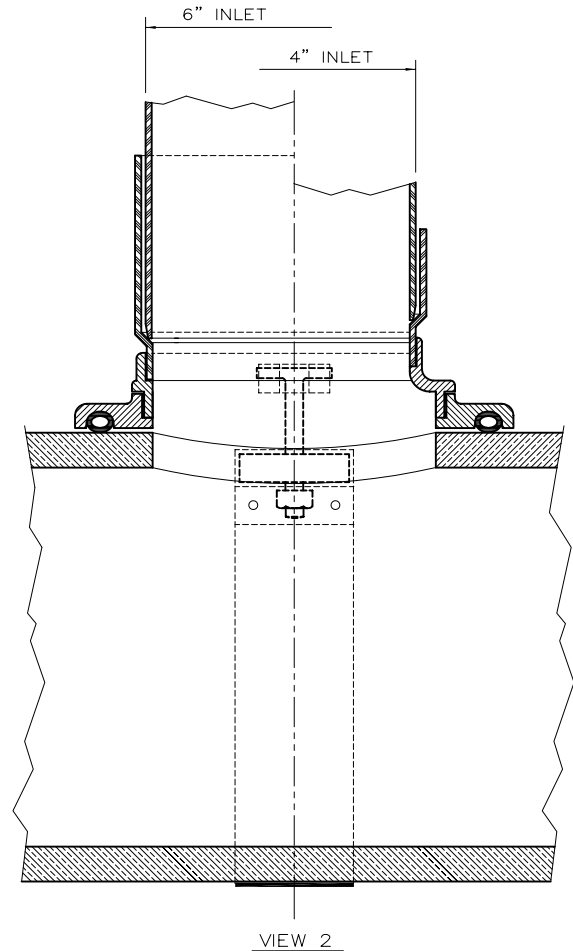
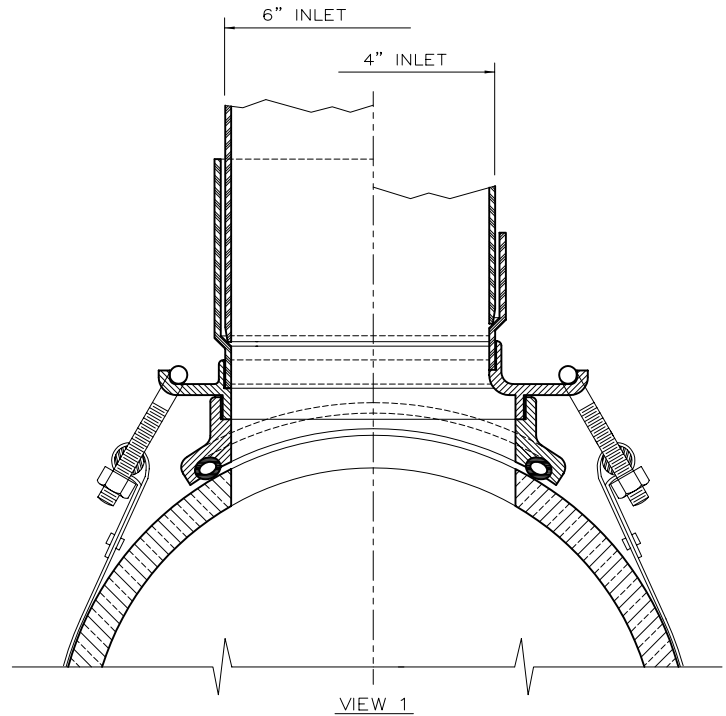
Strap Pins are .75" dia. Type 303 Stainless Steel

T-Bolts are .375" - 16 Type 304 Stainless Steel

Nuts and Washers are Type 18-8 Stainless Steel

O-Ring is ASTM C-361-77 Tubular Polyisoprene

4" & 6" inlets BOTH require a 6" dia. Tap in  
the Sewer Main



## Type "C" Model "90P"

SEALTITE TEE<sup>®</sup> Gravity Sewer Saddle  
(For Mains Larger Than 30" O.D.)



**THE GENERAL ENGINEERING COMPANY**

P.O. Box 609, Frederick, MD 21705-0609

(301)663-9282 • (800)345-6454 • FAX: (301) 695-5612

DWG.NO.

**C-90P**