

INLET: SPIGOT - Sch 40 PVC DWV

Base Castings are ASTM A-48 Class 30 Cast Iron
(Various Contours available to fit 30.00" - 72.00" O.D. Mains)

PVC Adapter is a Spigot, same O.D. as Sch. 40 DWV

Castings and Adapter cemented permanently in place
with two-part urethane adhesive

Base of Saddle is dip-coated in Waterbased
Bituminous Coating

Strap is 24 ga. X 2.5" wide Type 304 Stainless Steel

Strap Pins are .75" dia. Type 303 Stainless Steel

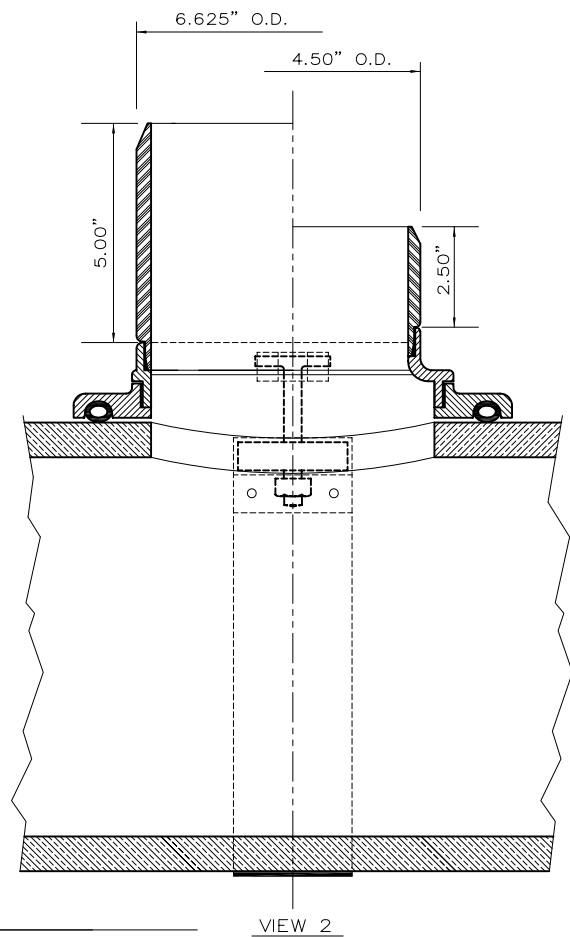
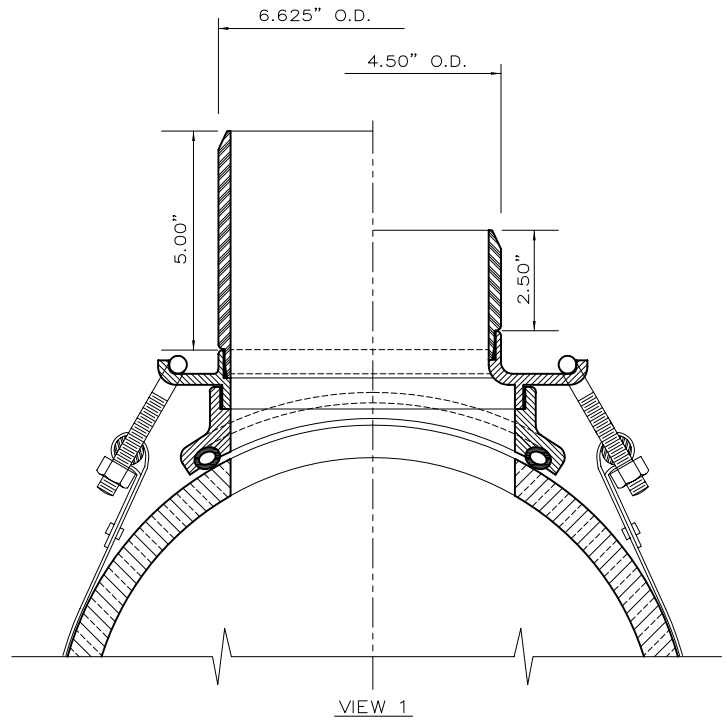
T-Bolts are .375" - 16 Type 304 Stainless Steel

Nuts and Washers are Type 18-8 Stainless Steel

O-Ring is ASTM C-361-77 Tubular Polyisoprene

4" & 6" inlets BOTH require a 6" dia. Tap in
the Sewer Main

Note: This Dwg. supercedes Dwg. No. R-2999-D3



Type "C" Model "40A"

SEALTITE TEE[®] Gravity Sewer Saddle
(For Mains Larger Than 30" O.D.)



THE GENERAL ENGINEERING COMPANY

P.O. Box 609, Frederick, MD 21705-0609

(301)663-9282 • (800)345-6454 • FAX: (301) 695-5612

DWG.NO.

C-40A