

INLET: SPIGOT - DUCTILE IRON

Base Casting and Adapter Casting are
ASTM A-48 Class 30 Cast Iron
(Various Contours available to fit 10.00" - 94.00" O.D. Mains)

Casting and Adapter cemented permanently in place
with two-part urethane adhesive

Saddle dip-coated in Waterbased
Bituminous Coating

Straps are 24 ga. X 2.5" wide Type 304
Stainless Steel (2 straps required)

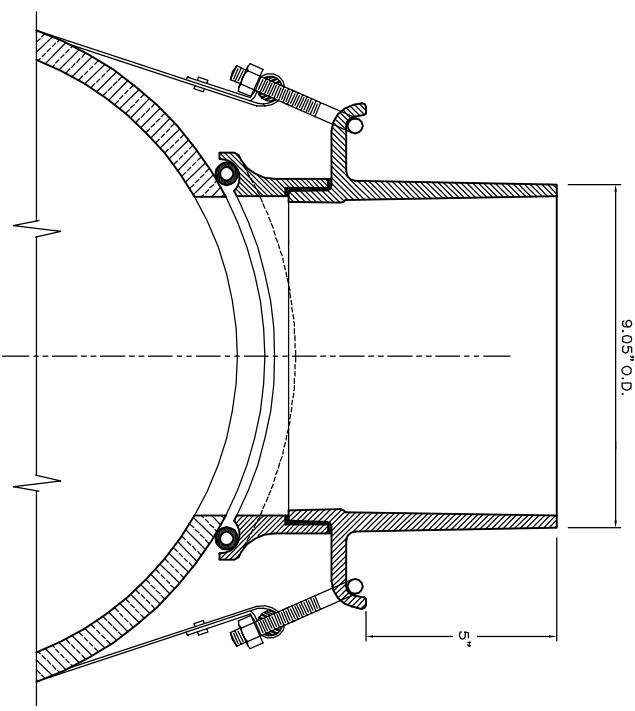
Strap Pins are .75" dia. Type 303 Stainless Steel

T-Bolts are .375" - 16 Type 304 Stainless Steel

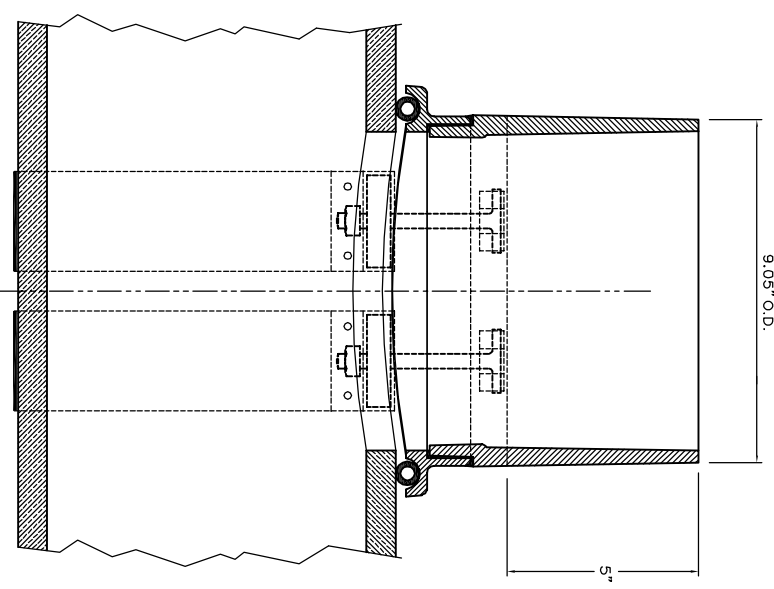
Nuts and Washers are Type 18-8 Stainless Steel

O-Ring is ASTM C-361-77 Tubular Polyisoprene

8" dia. Top required in the Main



VIEW 1



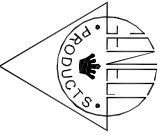
VIEW 2

Type "8C" Model "I"

SEALTITE TEE[®] Gravity Sewer Saddle (8" Inlet)

THE GENERAL ENGINEERING COMPANY

P.O. Box 609, Frederick, MD 21705-0609
(301)663-9282 • (800)345-6454 • FAX: (301) 695-5612



DWG. NO.

CI8