

## INLET: SOLVENT HUB - C900 PVC

Base Casting is ASTM A-48 Class 30 Cast Iron  
(Various Contours available to fit 10.00" - 94.00" O.D. Mains)

PVC Adapter is a Solvent Hub to accept C-900

Castings and Adapter cemented permanently in place  
with two-part urethane adhesive

Base of Saddle dip-coated in Waterbased  
Bituminous Coating

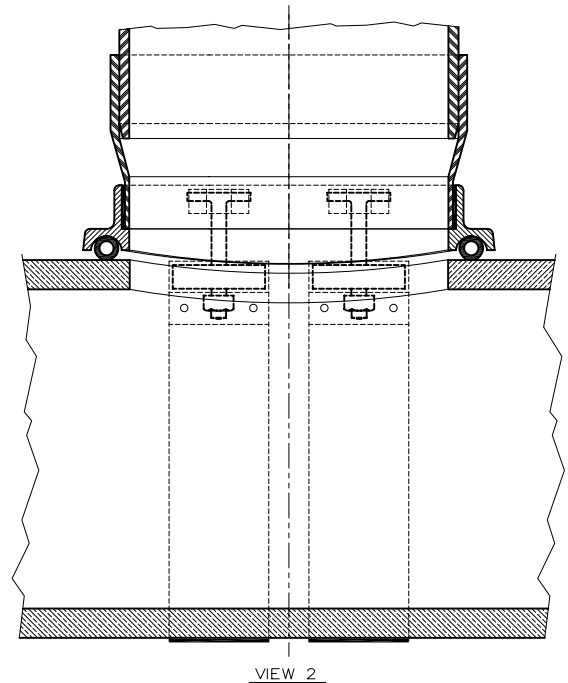
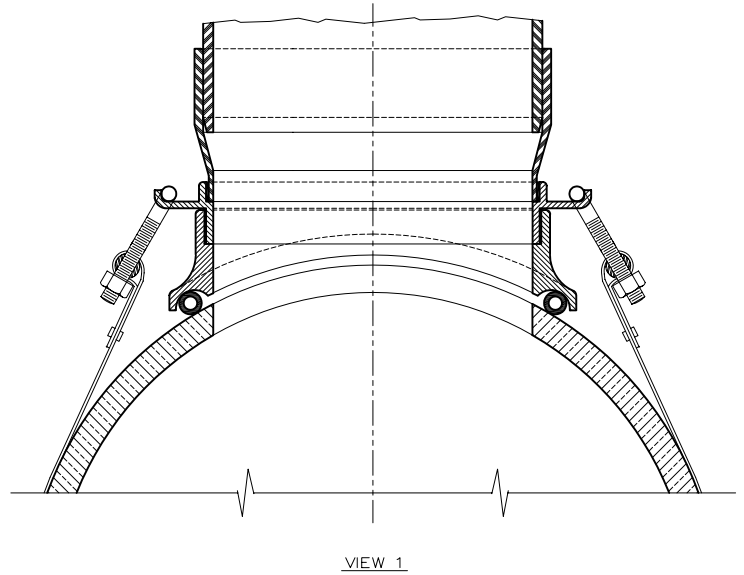
Straps are 24 ga. X 2.5" wide Type 304  
Stainless Steel (2 straps required)

Strap Pins are .75" dia. Type 303 Stainless Steel

T-Bolts are .375" - 16 Type 304 Stainless Steel

Nuts and Washers are Type 18-8 Stainless Steel

O-Ring is ASTM C-361-77 Tubular Polyisoprene  
8" dia. Tap required in the Main



**Type "8C" Model "90P"**

**SEALTITE TEE<sup>®</sup> Gravity Sewer Saddle (8" Inlet)**



**THE GENERAL ENGINEERING COMPANY**

P.O. Box 609, Frederick, MD 21705-0609

(301)663-9282 • (800)345-6454 • FAX: (301) 695-5612

DWG.NO.

**8C90P**