

INLET: SOLVENT HUB - Sch 40 PVC DWV

Base Casting is ASTM A-48 Class 30 Cast Iron
(Various Contours available to fit 10.00" - 94.00" O.D. Mains)

PVC Adapter is a Solvent Hub to accept Sch 40 DWV

Castings and Adapter cemented permanently in place
with two-part urethane adhesive

Base of Saddle dip-coated in Waterbased
Bituminous Coating

Straps are 24 ga. X 2.5" wide Type 304
Stainless Steel (2 straps required)

Strap Pins are .75" dia. Type 303 Stainless Steel

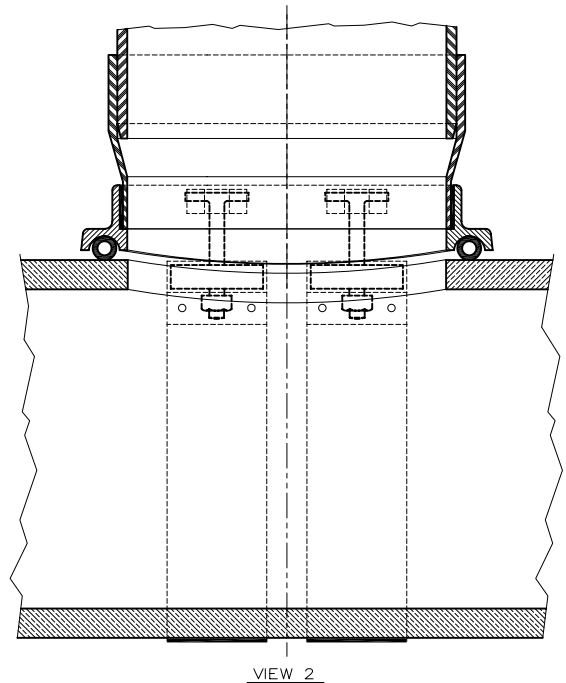
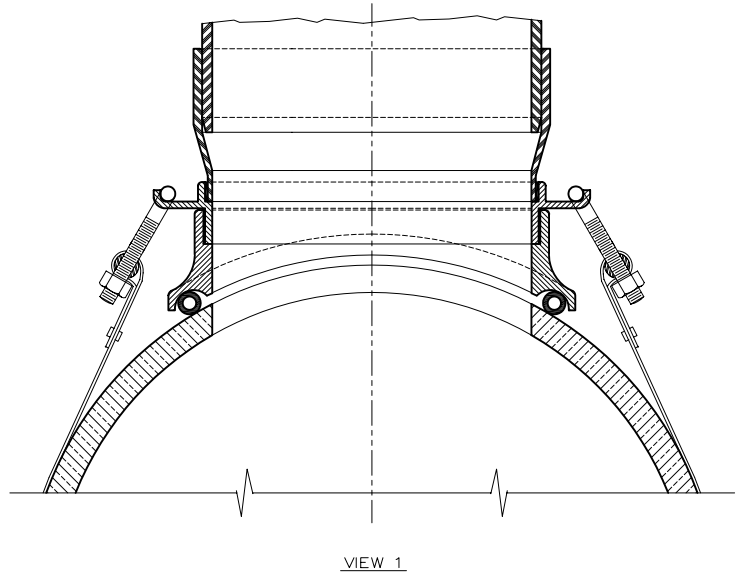
T-Bolts are .375" - 16 Type 304 Stainless Steel

Nuts and Washers are Type 18-8 Stainless Steel

O-Ring is ASTM C-361-77 Tubular Polyisoprene

8" dia. Tap required in the Main

Note: This Dwg. supercedes Dwg. No. R-3109-D1



Type "8C" Model "40P"

SEALTITE TEE[®] Gravity Sewer Saddle (8" Inlet)



THE GENERAL ENGINEERING COMPANY

P.O. Box 609, Frederick, MD 21705-0609

(301)663-9282 • (800)345-6454 • FAX: (301) 695-5612

DWG.NO.

8C40P